



# Micro Ohmmeter with demagnetization feature RMO500D



- Lightweight - only 10 kg
- Powerful 5 A – 500 A DC
- Measuring range 0 – 999,9 mΩ
- Resolution to 0,1 μΩ
- SINGLE / CONTIN Mode
- True DC current
- Demagnetization of a CT core

## High DC current resistance meter

### Description

RMO500D is a Micro Ohmmeter based on state of the art technology, using the most advanced switch mode technique available today. RMO500D generates true DC ripple free current with automatically regulated test ramps. During the test RMO500D ramps with increasing current before measuring and decreasing current after the measurement. This eliminates magnetic transients. After the test current has been set, the automatic test procedure is started by pressing the START-button.

The new feature is the ability to perform fully automatic demagnetization of a current transformer core after the measurement. Demagnetizing a magnetic core of a current transformer requires alternating current applied with decreasing magnitude down to zero. The RMO500D provides this alternating current by internally changing the polarity of a controlled DC current. During the demagnetization process the instrument supplies current at decreasing magnitude for each step, following a proprietary developed program.

The RMO500D instrument can store up to 500 measurements. All measurements are time and date stamped. Using DV-Win software a test can be performed from a PC, and the results can be obtained directly at a PC. Communication between RMO500D and PC is through USB (as standard) or RS232 cable (as an option). Using DV-Win the result can be arranged as an Excel spreadsheet which can be later shown as a diagram and printed for a report.

The set is equipped with thermal and overcurrent protection. The RMO500D has very high ability to cancel electrostatic and electromagnetic interference in HV electric fields. It is achieved by very efficient filtration. The filtration is made utilizing proprietary hardware and software.

### Output Ratings

The full output is available from the RMO500D at 230 V Mains Supply. A reduced output is available from lower supply voltages.

Supply Voltage	Output Current	Full Load Voltage
230 V AC	500 A DC smoothed	5,25 V DC
	300 A DC smoothed	6,0 V DC
115 V AC	500 A DC smoothed	3,0 V DC
	300 A DC smoothed	5,0 V DC

Output current is filtered and has a ripple of less than 1 %. The RMO500G current output is rated at 500 A for 30 seconds, at 300 A for 90 seconds and 200 A for 2,5 minutes at 25°C ambient temperature.

### CONTIN Mode

RMO500D can generate DC current continuously using the CONTIN menu. In this menu the current can be chosen the same way like in the SINGLE menu, but the duration of the test can be preset. The test is started pressing the START-button. During the test, a new result is shown on the display and stored into the PC (DV-Win) each second. Using DV-Win the result can be arranged as an Excel spreadsheet which can be later shown as a diagram and printed for a report.

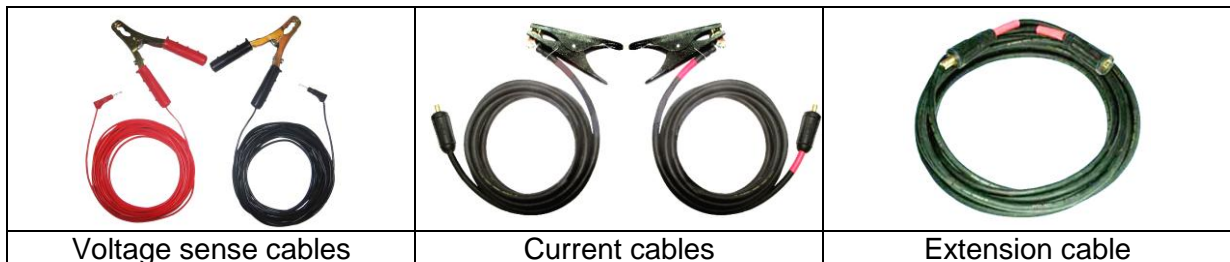
### Application

Typical application is measuring resistance of:

- ✓ High, middle and low voltage circuit breakers
- ✓ High, middle and low voltage disconnecting switches
- ✓ High-current bus bar joints
- ✓ Cable splices
- ✓ Welding joints

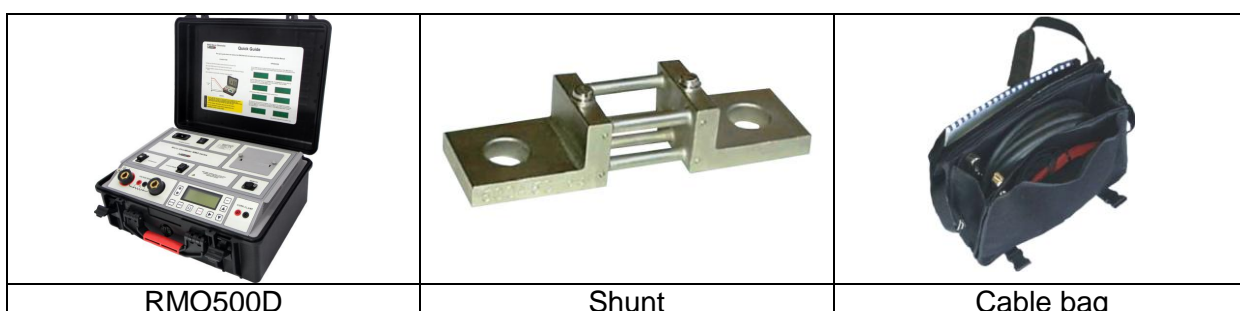
### Recommended accessories

- ✓ Current cables 2 x 5 m 50 mm<sup>2</sup> with battery clips
- ✓ Sense cables 2 x 5 m with alligator clips
- ✓ DV-Win PC software
- ✓ Mains power cable
- ✓ Ground (PE) cable
- ✓ Cable bag



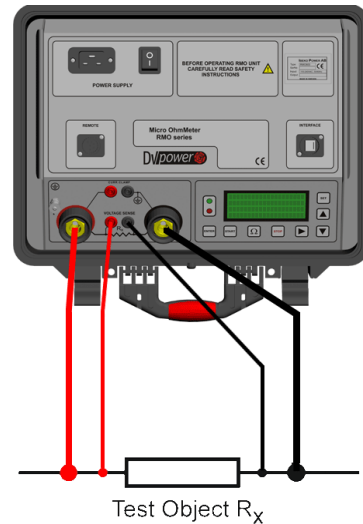
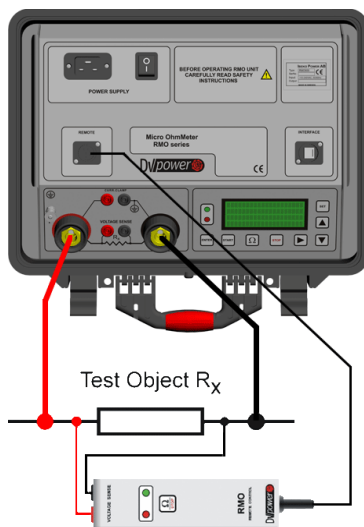
### Optional accessories

- ✓ Built-in thermal printer
- ✓ Remote Control Unit
- ✓ Both Sides Grounded Unit
- ✓ Test shunt 600 A / 60 mV
- ✓ Current cables 2 x 10 m 50 mm<sup>2</sup>
- ✓ Current cables 2 x 15 m 70 mm<sup>2</sup>
- ✓ Extension cable 2 x 10 m 70 mm<sup>2</sup>
- ✓ Sense cables 2 x 10 m with alligator clips
- ✓ Sense cables 2 x 15 m with alligator clips
- ✓ Cable plastic case



## Connecting a Test Object to RMO500D

With RMO500D turned off, connect the device to the test object ( $R_x$ ) in such a way that the measuring cables from the "Voltage Sense" sockets are attached as close as possible to  $R_x$ , and in between the current feeding cables. That way, resistance of both cables and clamps is almost completely excluded from the resistance measurement.



## Remote Control Unit

The RMO Remote Control Unit is an optional control unit that is used to start and stop the tests from a remote location, away from the actual RMO.

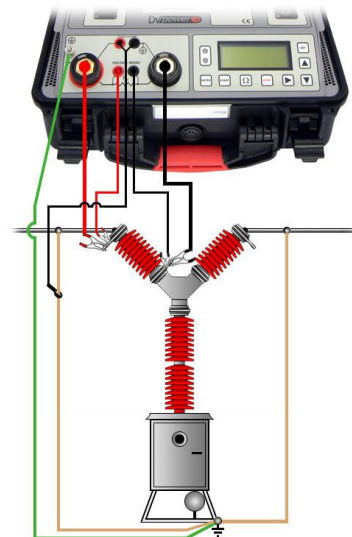
Provided that, for a series of tests, the same test current is fed through the test object, multiple measurements can be carried out with the RMO Remote Control Unit.

## Both Sides Grounded Unit

Using RMO500D with both sides grounded option it is possible to make safer measurements of breakers with both terminals of the breaker grounded. Measuring the current through the ground connection and reducing this value from the total current is an additional safety feature.

## Demagnetizing a current transformer core after a measurement

After a DC current test of a circuit breaker or bus-bars, the magnetic core of associated current transformers may be magnetized (remanent magnetism). To eliminate this source of potential problems, demagnetization should be performed. Following the apparatus resistance measurements, there is a possibility to start the demagnetization process offered by this instrument, by pressing the START button in the results menu. The whole demagnetization process does not require modification of any connection, it is automatic and very quick.



## Technical data

### 1 - Mains Power Supply

- Connection according to IEC/EN60320-1; C320
- Voltage 90 V – 264 V AC, 50 / 60 Hz, single-phase
- Power consumption 3800 VA (230 V AC); 2300 VA (110 V AC)
- Fuse 15 A / 230 V, type F

### 2 - Output data

- Test current 5 A – 500 A DC
- Measuring range / Resolution
  - 0,1  $\mu\Omega$  - 999,9  $\mu\Omega$  0,1  $\mu\Omega$
  - 1000  $\mu\Omega$  - 9999  $\mu\Omega$  1  $\mu\Omega$
  - 10,00 m $\Omega$  - 99,99 m $\Omega$  10  $\mu\Omega$
  - 100,0 m $\Omega$  - 999,9 m $\Omega$  0,1 m $\Omega$
- Typical accuracy  $\pm$  (0,1 % rdg + 0,1 % FS)

### 3 - Environment conditions

- Altitude below 2000 m
- Temperature -10 °C - +55 °C / 14 °F - +131 °F
- Maximum relative humidity 95 % for temperatures up to 31 °C, decreasing linearly to 40 % relative humidity at 55 °C
- Mains supply voltage fluctuations up to  $\pm$ 10 % of the nominal voltage
- Installation/overvoltage category II
- Pollution degree 2

### 4 - Dimensions and Weight

- Dimensions 450 mm x 175 mm x 320 mm  
17,72 in x 5,98 in x 12,60 in  
(W x H x D) without handle
- Weight 9 kg / 20 lb

### 5 - Warranty

three years

### 6 - Safety Standards

- European standards EN 61010-1  
LVD 2006/95/EC
- International standards IEC 61010-1  
UL 61010-1  
CAN/CSA-C22.2 No. 61010-1, 2<sup>nd</sup> edition, including  
Amendment 1

### 7 - Electromagnetic Compatibility (EMC)

- CE conformity EMC standard 89/336/EEC  
EMC directive 2004/108/EC
- Emission EN 61326-1
- Interference Immunity EN 61326-1

\*Specifications are subject to change without notice.



**IBEKO POWER AB**