

BVR Series

Battery Voltage Recorders

- Handheld - from 0,5 to 0,7 kg (1.1 to 1.5 lbs) depending on the model
- Max voltage measurement range ± 600 V
- Automatically measures, time-stamps and stores cell/string (float) voltages in less than 1 second.
- Cell and ambient temperature measurements
- Current measurement using current clamps
- IR communication with external Density Meter*
- Performs full battery discharge test simultaneously measuring string voltage and discharge current.
- Easy transfer of measured data to DV-B Win software for further analysis



Description

The BVR series of devices include three models: **BVR11**, **BVR20** and **BVR22**.

These are rechargeable handheld devices used to perform monthly battery inspections measuring string voltage (**BVR11** and **BVR22**), single cell voltage, ambient temperature and cell temperature using PT100 temperature indicator (**BVR20** and **BVR22**).

The BVR series of devices also provide an efficient tool for capacity tests of large battery banks, where they serve as an efficient supplement with DV Power Battery Load Unit (BLU) series of devices or any other load banks on the market used for a battery discharge.

The BVR series of devices can be used to measure voltage and temperature parameters while the battery is either in online or offline mode. These devices also record measured data in the internal memory, with an ability of storing up to 1000 measurements. Measured data is displayed in the numerical form or in the form of histograms on the 2.8 inch color display.

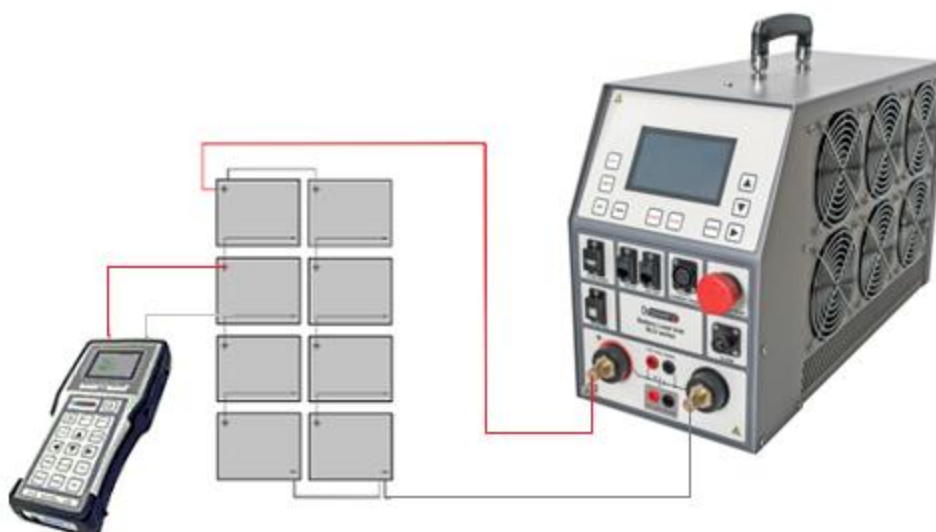
Download of collected data to an external computer is available via USB and Bluetooth communication. Detailed analysis and trending of battery banks and an individual battery's state of health is provided by using the DV – B Win software application set.

Applications

The list of the instrument applications includes:

- Efficient supplement to BLU series of Battery Load Units during extensive battery discharge testing
- Monthly inspections of large battery banks
- Ambient temperature measurement
- Current measurement using current clamps
- USB and Bluetooth communication with a user provided PC
- Simultaneous string voltage and current measurement to analyze a discharge test process*

Connecting BVR with battery



DV-B Win Software

Using the DV-B Win software package all results can be presented in several forms. Single battery voltages can be shown in a table, scan graph, as well as a line view.

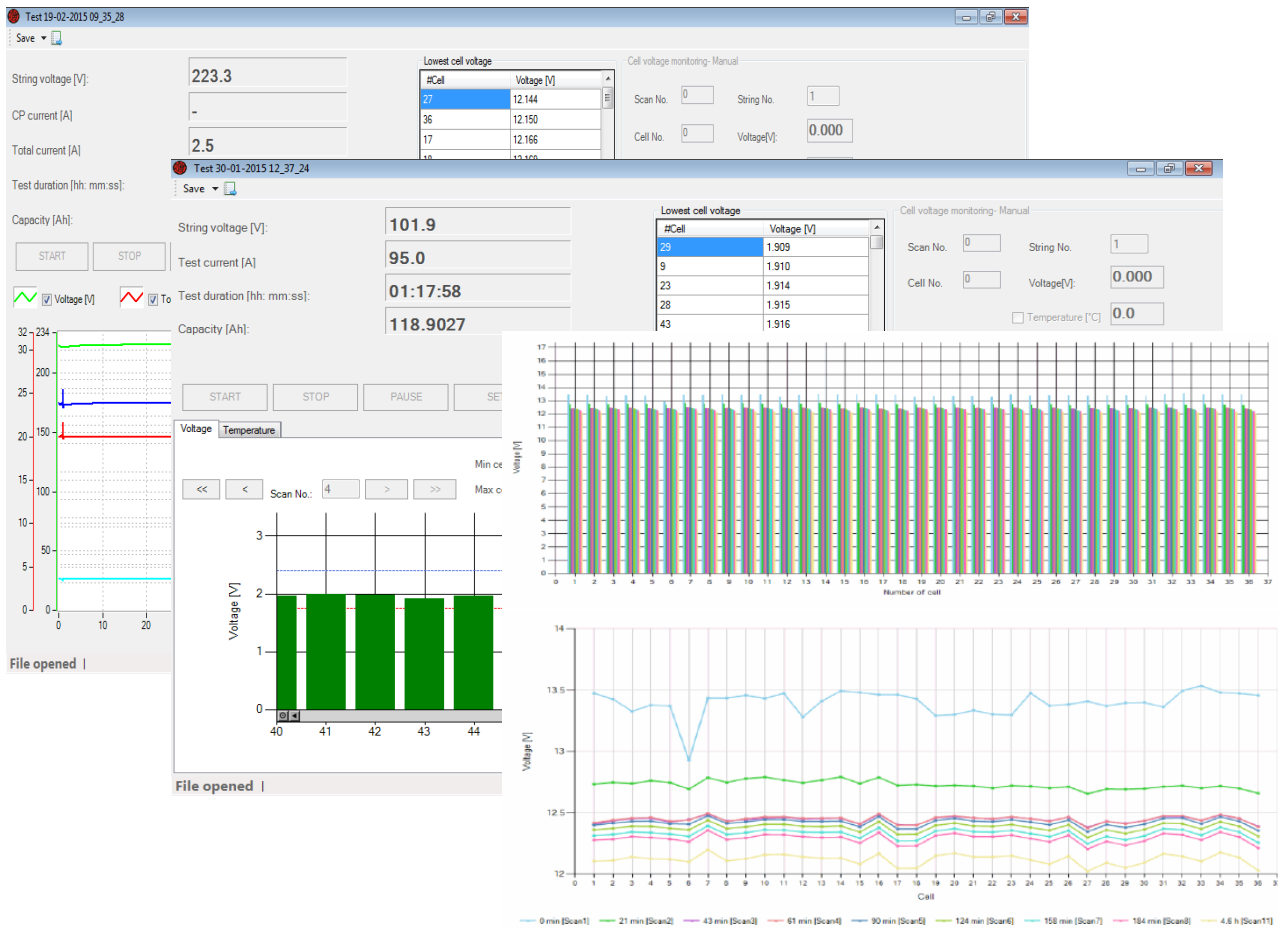
To perform detailed comparisons and analysis of measured data, a user defined limits for battery, and string voltage as well as temperature, are displayed in the scan graph view along with measured results.

A test report of collected data can be generated and user customized for a comprehensive battery state of health assessment.

Numerical and graphical results may be exported from DV-B Win in selectable formats such as Excel spreadsheet, PDF, Word or Rich Text Format. Additionally, importing other types of data formats (.jpeg, .png, .doc) into standardized DV-B Win report is provided as well.

DV-B Win software provides an alarm notification when detecting cells with voltage levels lower or higher than defined thresholds.

*Simultaneous string voltage and current measurement is provided with BVR22



Test report, 19/02/2015, Page - 3/4

DV-B Win application functions – string view, battery scan view and line voltage chart

Technical Data

Mains Power Supply

Battery

- Type 2600 mAh Li-Ion
- BVR11: 1 Cell
- BVR20, BVR22: 2 Cells
- Voltage 3,7 V
- Charge time 6 hours

AC Adapter

- Input voltage 90 to 264 V AC, 50/60 Hz
- Output voltage 12 V DC
- Output current 1 A

Measurement

- Inter-cell voltage measuring range: 0 – 1 V DC*
- Cell voltage measuring range: 0 – 30 V DC
- String voltage measuring range: 0 – 600 V DC**

*1V range available with BVR22

** 600V range available with BVR22

Model	Range	Resolution
BVR11	±30 V	10 mV
	±500 V DC	100 mV
BVR20	±2,35 V DC	
	±7 V DC	1 mV
	±30 V DC	
BVR22	±30 mV	0,01 mV
	±300 mV	0,1 mV
	±1 V	0,1 mV
	±30 V	10 mV
	± 600 V DC	100 mV

Model	Temperature
BVR11	-10 °C to +55 °C /14 °F to +131 °F
BVR20	-50 °C – +260 °C /-58 °F – +500 °F
BVR22	-50 °C – +260 °C /-58 °F – +500 °F

- Typical accuracy:

± 600 V DC: ± (0,05% rdg + 0,1% FS)

± 30 V DC: ± (0,05% rdg + 0,05% FS)

± 7 V DC: ± (0,05% rdg + 0,05% FS)

± 2,35 V DC: ± (0,05% rdg + 0,05% FS)

± 1 V DC: ± (0,05% rdg + 0,05% FS)

Display

- Type: TFT LCD 2.8 in
- Viewing Area:
43,2 mm x 57,6 mm / 1.8 in x 2.3 in
- Resolution: 320 x 240 pixels

Communication

- USB and Bluetooth: Device to PC connection

*Bluetooth available with BVR11 and BVR22

Memory

- Internal: 2 GB Micro SD Card

Real time clock

- Precision: ±5 seconds per month
- Calendar: 100 year with leap year detection

Environment conditions

- Temperature:
-10 °C to +45 °C / 14 °F to +113 °F
- Maximum relative humidity 95 % for
Temperatures up to 31 °C, decreasing
Linearly to 40 % relative humidity at 55 °C

Dimensions and Weight

Model	Dimensions (L x W x D):	Weight
BVR11	223 mm x 98 mm x 46 mm 8.77 in x 3.85 in x 1.81 in	0,5 kg / 1.1 lbs
	253 mm x 116/89/96 mm x 46/36 mm	0,6 kg / 1.3 lbs
BVR20	10 in x 4.6/3.5/3.8 in x 1.8 / 1.4 in	
BVR22	223 x 116 x 53 mm	0,7 kg /
	8.77 in x 4.56 in x 2.1 in	1.5 lbs

Warranty

- Three years
- Installation category II: IEC EN 61010-1

Low Voltage Directive

- Directive 2014/35/EU (CE conform)
- Applicable standards, for a class I instrument, pollution degree 2

Electromagnetic Compatibility

- Directive 2014/30/EU (CE conform)
- Applicable standard: EN 61326-1

All specifications herein are valid at ambient temperature of + 25 °C and recommended accessories. Specifications are subject to change without notice.

Accessories



Voltage sense cables

Current clamp 30/300 A with internal battery supply and extension 5 m

PT 100 temperature indikator

Order Info:

Instrument	Article No
Battery Voltage Recorder BVR11	BVR11X-NN-00
Battery Voltage Recorder BVR20	BVR20X-NN-00
Battery Voltage Recorder BVR22	BVR22X-NN-00


Included accessories
DV-B Win software including mini USB cable
Transport bag and carrying belts
Power supply adapter

Recommended	Article No
Sense cables	S2-0122-BPBP
PT100 temperature indicator <i>(for BVR20 and BVR22 models)</i>	TI-000-PT100
Current clamps 30/300 A with internal battery supply and extension 5 m <i>(for BVR11 and BVR22 models)</i>	CACL-0300-08
Sense cables 2 x 3 m with banana plugs + dolphin clip	S2-03-00BPDC


Optional	Article No
RFID tags 20 pcs <i>(for BVR20 and BVR22 models)</i>	RFIDB-020-00
Bluetooth communication module <i>(for BVR11 and BVR22 models)</i>	BLUET-MOD-00
Rechargeable NiMH battery 8,4 V 300 mAh for current clamps	RCGB-30084-0
Battery charger 2 x 9 V for NiMH/NiCd batteries	BATCH-2X9V-0

BVR Series – models


BVR11

	<p>Measured parameters:</p> <p>Voltage, ambient temperature, current measurement using current clamps</p> <p>Measurement range:</p> <p>String Voltage: ± 500 V DC, Cell Voltage: ± 30 V DC</p> <p>Data Transfer:</p> <p>Bluetooth and USB to PC</p>
---	--

BVR20

	<p>Parameters Measured:</p> <p>Voltage, cell temperature, Electrolyte density measurement (communicating with external density meter), current measurement using current clamps.</p> <p>Measurement range:</p> <p>Cell Voltage: $\pm 2,35$ V DC ± 7 V DC ± 30 V DC</p> <p>Data Transfer: USB to PC</p>
--	---

BVR 22

	<p>Parameters Measured:</p> <p>String and cell voltage, cell (electrolyte)/ambient temperature, DC current measurement using current clamps.</p> <p>Simultaneous string voltage and DC current measurement</p> <p>Measurement range:</p> <p>String Voltage: ± 500 V DC, Cell Voltage: ± 30 V DC Current/Intercell voltage: ± 1 V DC</p> <p>Data Transfer: Bluetooth and USB to PC</p>
---	--

*The above cables are also available in several lengths and terminations.
 Please contact DV Power for more information